

SPI[®]VARIOtemp & SPI[®]VARIOflex.

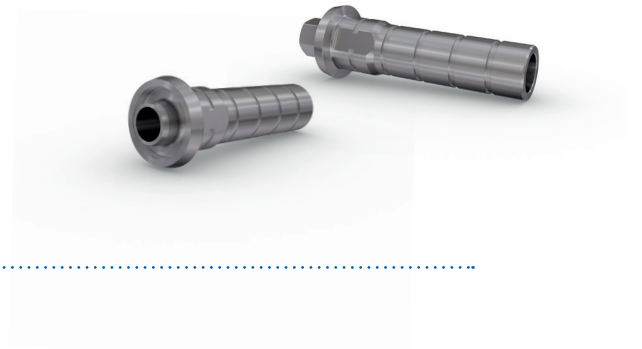
DISTINCTLY THOMMEN.



VARIETY.

EXPERIENCE MORE PROSTHETIC FLEXIBILITY!

A simplified temporary and final prosthetic restoration! The new abutment from Thommen Medical that allows for even more restorative flexibility .



ADVANTAGES AT A GLANCE

- Flexible material selection
- Opens up a variety of restorative choices
- Ease of restoration to deeply placed implants
- Provides a simple, convenient temporary and final restoration solution

VARIOflex and VARIOtemp provides the perfect solution to a variety of clinical requirements by utilizing a single abutment design. This design offers the ability to shorten the individual abutment and adjust to the clinical situation and material requirements. This abutment was developed for restorations using plastic, pressed ceramic and non-precious metal alloys.

Whether you are creating a temporary or final restoration, VARIOtemp and VARIOflex sets simplify your prosthetic work.

VARIOtemp & VARIOflex in comparison

VARIOtemp TEMPORARY RESTORATION

Plastic



Screw-retained/cemented

Direct veneered/individual construction

Materials:
Abutment: Titanium
Fabrication screw: Stainless steel

VARIOflex FINAL RESTORATION

NPM/Press Ceramic



Screw-retained/Cemented

Monolithy crown/VMK
Individual construction/ceramic crown

Materials:
Abutment: Titanium
Abutment screw: Ti alloy
Burn-out plastic cap: POM

The instructions for use will be available on the web in December 2015. For VARIOtemp, visit www.online-ifu.com/THM61121, for VARIOflex visit www.online-ifu.com/THM61119.

VARIOtemp and VARIOflex will replace the temporary abutment and the VARIOeco Abutment beginning 2016.

HEADQUARTERS

Thommen Medical AG
Neckarsulmstrasse 28
2540 Grenchen | Switzerland
Tel. +41 61 965 90 20
Fax +41 61 965 90 21
info@thommenmedical.com

SUBSIDIARIES/NATIONAL DISTRIBUTORS

AUSTRIA

Thommen Medical Austria GmbH
Mühlgasse 3
2322 Zwölfaxing | Austria
Tel. +43 660 2011953
info@thommenmedical.at

BENELUX

Thommen Medical Benelux B.V.
Dierenriem 1
3738 TP Maartensdijk | Netherlands
Tel. +31 30 68 68 468
Info.benelux@thommenmedical.nl

CHINA

Shanghai Yujing Trading Co., Ltd.
Room G | Floor 15th | Plaza JiaFa | No.1
Lane 129 | DaTian Road | JingAn District
Shanghai | China
Tel. +86 21 62723077
Fax +86 21 62175264

CZECH REPUBLIC

C. Witt Dental spol. s r.o.
Cihlářská 643/19
602 00 Brno
Tel. +420 739 043 449
helena.novak@cwittdental.cz

FINLAND

Vector Laboratories Oy
Engelinaukio 8 B
00150 Helsinki | Finland
Tel. +358 400 940 700
labs@vektor.fi

FRANCE

Thommen Medical France
10 avenue Gabriel Pierné
77680 Roissy-en-Brie | France
Tel. +33 1 83 64 06 35
Fax +33 3 89 33 52 53
infos@thommenmedical.fr

GERMANY

Thommen Medical Deutschland GmbH
Am Rathaus 2
79576 Weil am Rhein | Germany
Tel. +49 7621 422 58 30
Fax +49 7621 422 58 41
info@thommenmedical.de

HONG KONG

Shengyuan (Hong Kong) Int. Trade Co. Ltd.
Level 13, 68 Yee Wo Street
Causeway Bay | Hong Kong
Tel. +852 530 876 41

ITALY

Dental Trey S.r.l.
Via Partisani, 3
47016 Fiumana | Predappio (FC) | Italy
Tel. +39 0543 929111
Fax +39 0543 940659
implantologia@dentaltrey.it
www.dentaltrey.it

JAPAN

J. Morita Corporation
3-33-18, Tarumi-cho
Suita | Osaka 564-8650 | Japan
Tel. +81 6 6384 6921
Fax +81 6 6384 6746
www.morita.com

LITHUANIA/LATVIA

LT projects, UAB
Šiaurės prospektas 5B, Kaunas
Lithuania LT-49191
Tel. +370 68 700048
Mobile +370 65 771550
info@fordentist.lt
www.fordentist.lt

MIDDLE EAST

Star Science International GmbH
Jupiterstrasse 57
3015 Bern | Switzerland
Tel. +41 31 941 07 31
Fax +41 31 941 07 33
star.science@bluewin.ch

NORWAY

Novus Dental AS
Johannes Bruns gate 5
0452 Oslo | Norway
Tel. +47 951 07 007
post@novusdental.no
www.novusdental.no

POLAND

C.WITT DENTAL Sp. z o. o.
Ul. Granitowa 10
87-100 Toruń | NIP 951-15-08-371 | Poland
Tel. +48 56 623 61 23
biuro@cwittdental.pl
www.cwittdental.pl

REPUBLIC OF CROATIA

Futura Dental d.o.o.
Kralja Zvonimira 108
10 000 Zagreb | Republic of Croatia
Tel. +385 91 6814 860
info@futura-dental.hr
www.futura-dental.hr

RUSSIAN FEDERATION

CIS – JSC Geosoft
Build. 14, Ap. 16, 3-ya Mytishchinskaya ul.
Moscow, 129626 | Russian Federation
Tel. +7 495 663 22 11
thommenmedical@geosoft.ru

SINGAPORE

FONDACO Pte Ltd
7 Kaki Bukit Road 1, #03-06
Eunos Techno Link
Singapore 415937 | Singapore
Tel. +65 6392 2806
Fax +65 6392 1296
fondaco@fondacosg.com

SOUTH KOREA

KMbio
02 Ho, 129, Dongseo-daero
Seobuk-gu, Cheonan-si
Chungcheonnam-do
Republic of Korea
Tel. +82 070 3141 2875
kmbio149@naver.com

SPAIN/PORTUGAL

Thommen Medical Ibérica
C/Los quintos n 1
03350 Cox (Alicante) | Spain
Tel. +34 96 536 10 20
Mobile +34 606 99 78 34
info@thommeniberica.com

SWITZERLAND

Thommen Medical AG
Neckarsulmstrasse 28
2540 Grenchen | Switzerland
Tel. +41 32 644 30 20
Fax +41 32 644 30 25
info@thommenmedical.ch

TAIWAN

En-Jye International Co., Ltd.
No. 18 | Lane 177 | Sec 3 | Chengde Rd.
Taipei, 103 Taiwan
Tel. +886 2 2585 1669
Fax +886 2 2585 0892
enjye168@gmail.com

TURKEY

Bioport Biyolojik Maddeler A.Ş.
Büyükdere cd. Subay evleri 9. Blok D1 Esentepe
Şişli 34394 İstanbul | Turkey
Tel. +90 212 2727577
Fax +90 212 2727628
info@bioport.com.tr
www.bioport.com.tr

USA/CANADA

Thommen Medical USA L.L.C.
1375 Euclid Avenue | Suite 450
Cleveland OH 44115 | USA
Tel. +1 866 319 9800 (toll free)
Fax +1 216 583 9801
info.us@thommenmedical.com
orders.us@thommenmedical.com